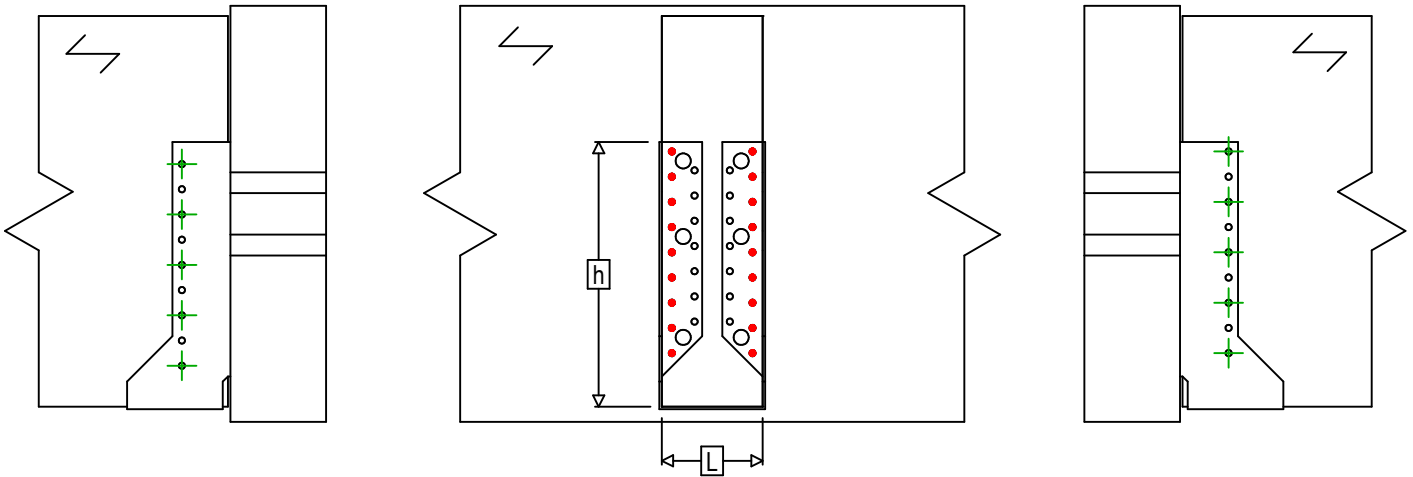
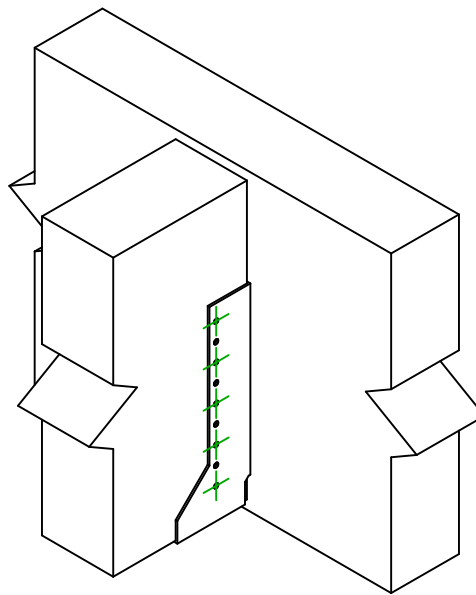




Item	=	SAIX500	
Fasteners	=	Timber to timber	Joist to beam
Type of fastening	=	Partial nailing	



$$h = (500 - L) / 2$$



Header Fastener(s)	Symbol	Fasteners	Fasteners		Qty	
		CNAS		CNA4.0X35S / CNA4.0X50S		18
		CSAS		CSA5.0X35S / CSA5.0X40S		
-		-	-			
Joist Fastener(s)	Symbol	Fasteners	L < 64mm	L > 64mm	Qty	
		CNAS		CNA4.0X35S	CNA4.0X50S	10
		CSAS		CSA5.0X35S	CSA5.0X40S	