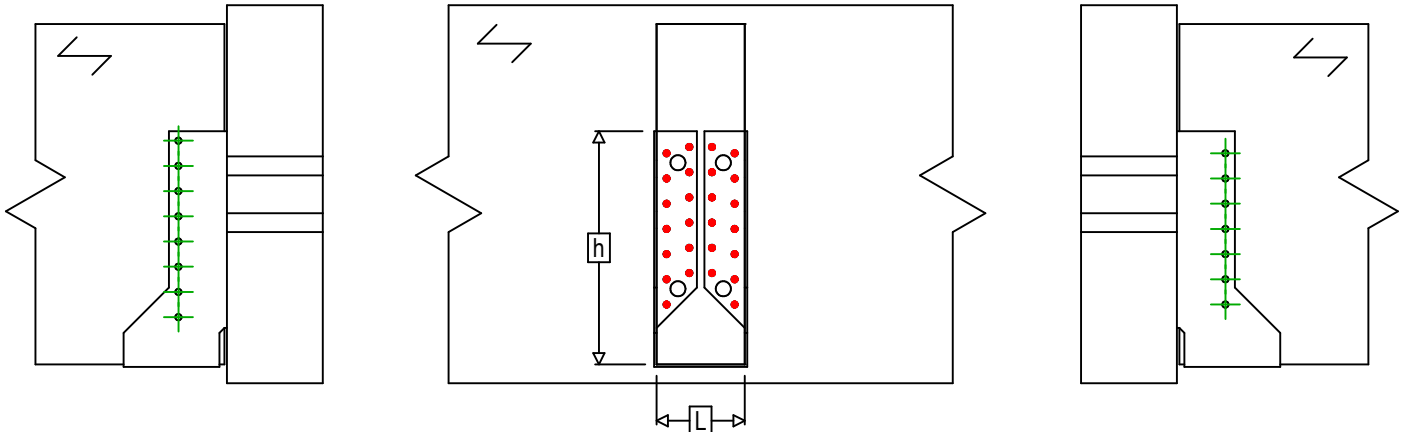
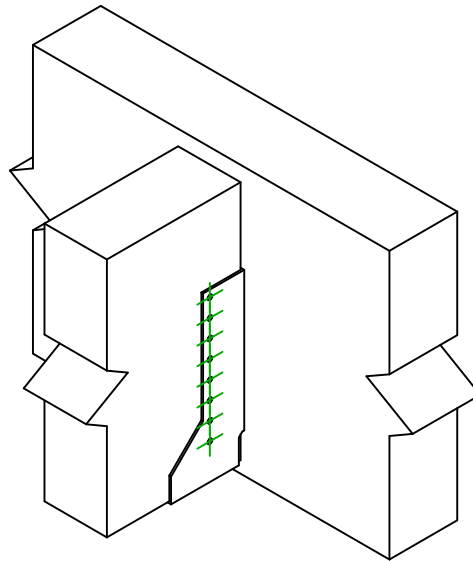




| | | | |
|--------------------------|---|------------------|---------------|
| Item | = | SAIX440 | |
| Fasteners | = | Timber to timber | Joist to beam |
| Type of fastening | = | Full nailing | |



$$h = (440 - L) / 2$$



| Header Fastener(s) | Symbol | Fasteners | Fasteners | | Qty | |
|--------------------|--------|-----------|-----------|-------------------------|------------|----|
| | | CNAS | | CNA4.0X35S / CNA4.0X50S | | 26 |
| | | CSAS | | CSA5.0X35S / CSA5.0X40S | | |
| - | | - | - | | | |
| Joist Fastener(s) | Symbol | Fasteners | L < 64mm | L > 64mm | Qty | |
| | | CNAS | | CNA4.0X35S | CNA4.0X50S | 15 |
| | | CSAS | | CSA5.0X35S | CSA5.0X40S | |