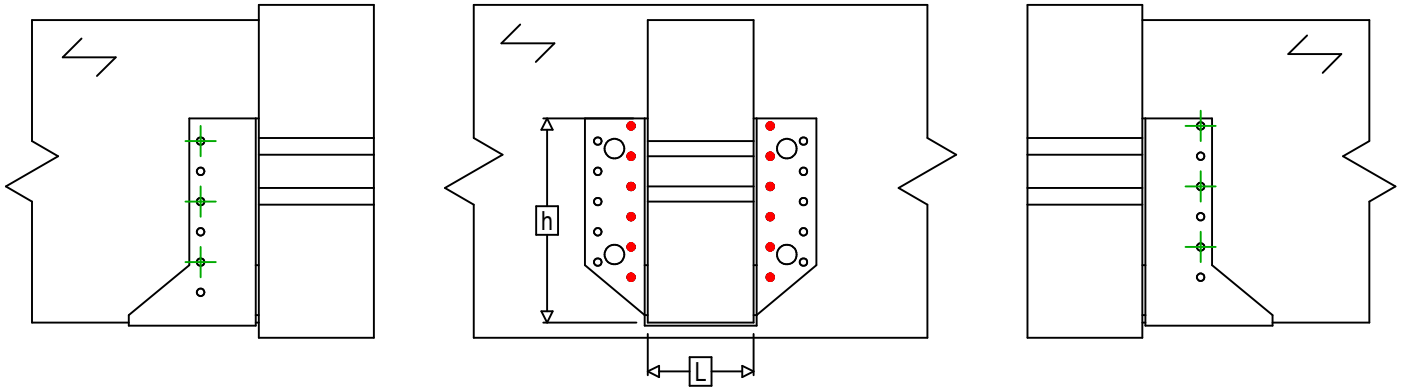
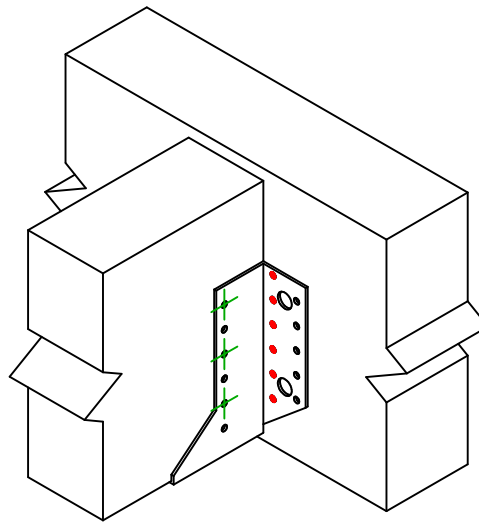




|                   |   |                  |               |
|-------------------|---|------------------|---------------|
| Item              | = | SAEX340          |               |
| Fasteners         | = | Timber to timber | Joist to beam |
| Type of fastening | = | Partial nailing  |               |



$$h = (340 - L) / 2$$



| Header Fastener(s) | Symbol | Fasteners | Fasteners |                         | Qty        |    |
|--------------------|--------|-----------|-----------|-------------------------|------------|----|
|                    |        | CNAS      |           | CNA4.0X35S / CNA4.0X50S |            | 12 |
|                    |        | CSAS      |           | CSA5.0X35S / CSA5.0X40S |            |    |
| -                  |        | -         | -         |                         |            |    |
| Joist Fastener(s)  | Symbol | Fasteners | L < 64mm  | L > 64mm                | Qty        |    |
|                    |        | CNAS      |           | CNA4.0X35S              | CNA4.0X50S | 6  |
|                    |        | CSAS      |           | CSA5.0X35S              | CSA5.0X40S |    |