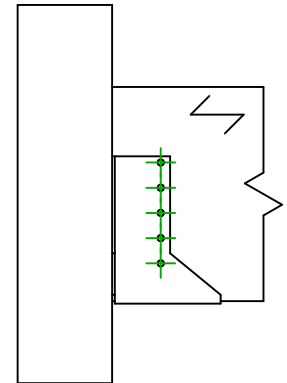
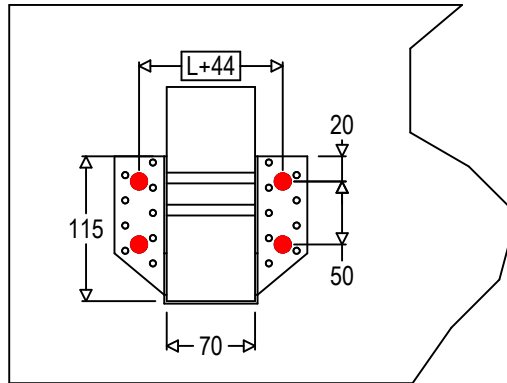
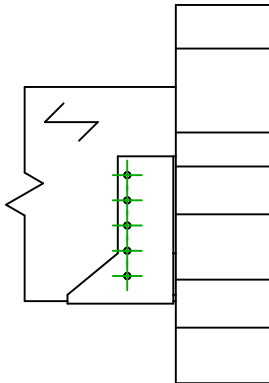
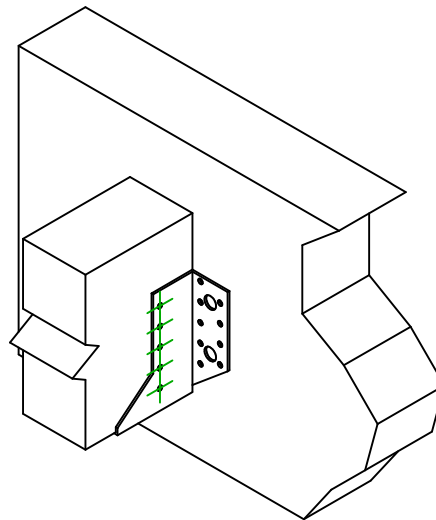




Item	=	SAEX300	
Fasteners	=	Timber to rigid support	Joist to beam
Type of fastening	=	Fixing on rigid support	



$$h = (300 - L) / 2$$



Header Fastener(s)	Symbol	Fasteners	Fasteners		Qty	
			FM753 A4	FM-753 M10X75/5 A4		4
			LMAS A4	LMASM10 A4		
-		-	-			
Joist Fastener(s)	Symbol	Fasteners	L < 64mm	L > 64mm	Qty	
		CNAS	CNA4.0X35S	CNA4.0X50S	10	
		CSAS	CSA5.0X35S	CSA5.0X40S		