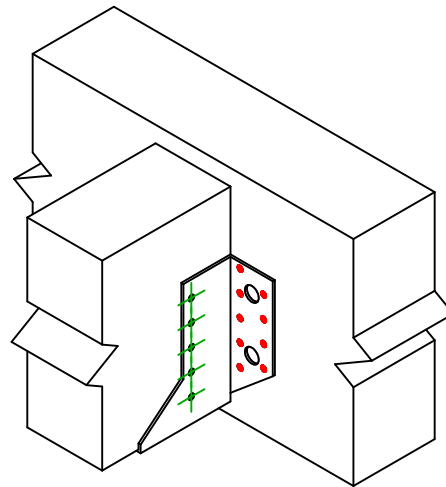
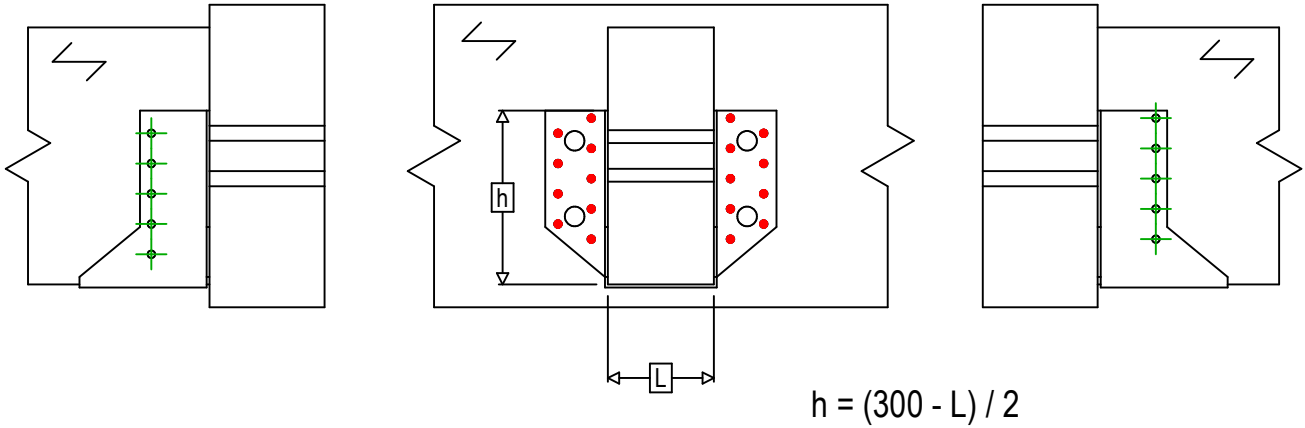




Item	=	SAEX300	
Fasteners	=	Timber to timber	Joist to beam
Type of fastening	=	Full nailing	



Header Fastener(s)	Symbol	Fasteners	Fasteners		Qty	
		CNAS		CNA4.0X35S / CNA4.0X50S		18
		CSAS		CSA5.0X35S / CSA5.0X40S		
-		-	-			
Joist Fastener(s)	Symbol	Fasteners	L < 64mm	L > 64mm	Qty	
		CNAS		CNA4.0X35S	CNA4.0X50S	10
		CSAS		CSA5.0X35S	CSA5.0X40S	